



PERFORMANCE CURVES

2024-06-11

Page 2 / 3

DAB PUMPS S.p.A.
Via Marco Polo, 14 - 35035 Mestrino (PD), Italy
Tel. +39 049 5125000 - Fax +39 049 5125950
www.dabpumps.com

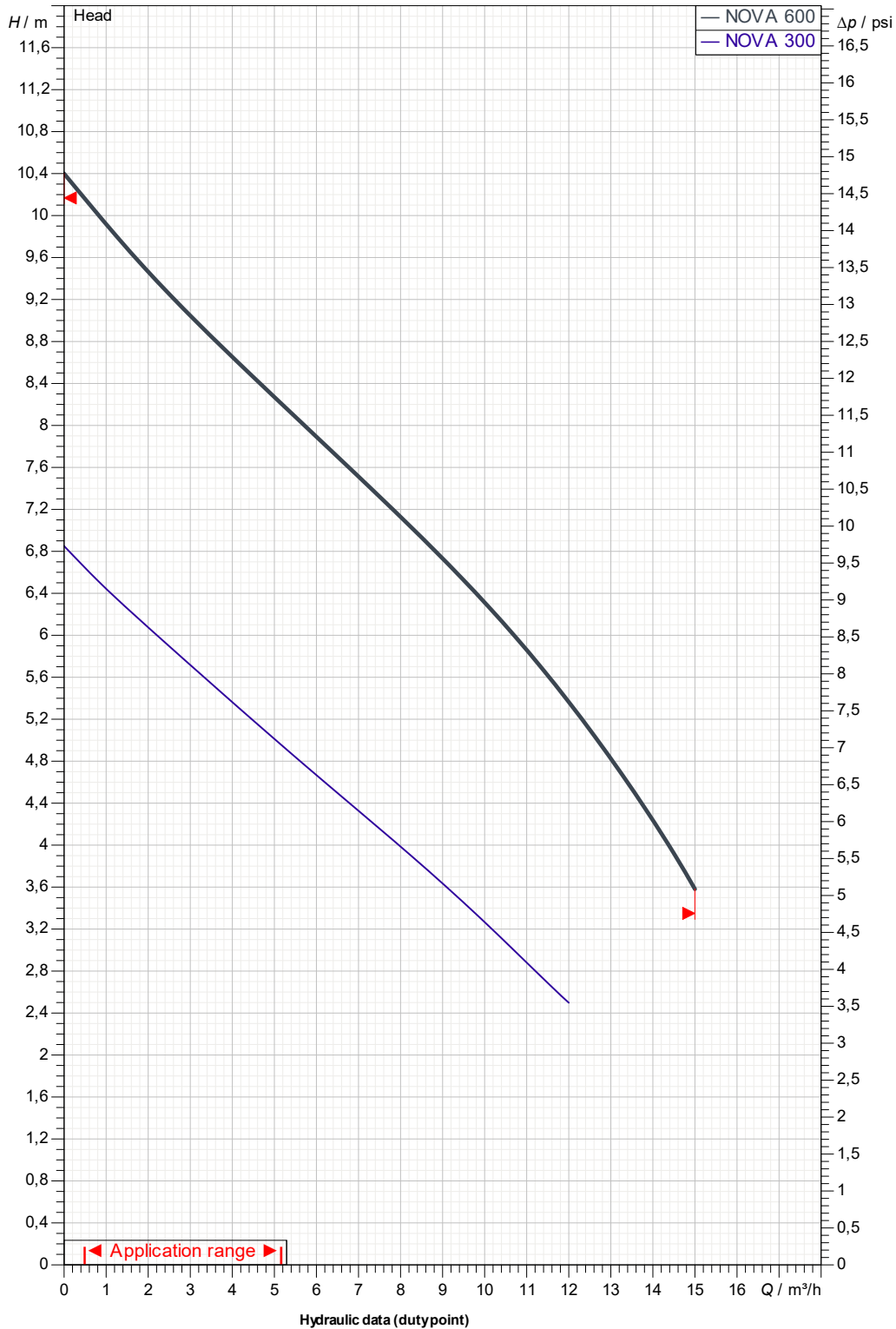
Receiver

From

Company
Reference
Address
Phone
Fax
E-mail

NOVA 600 M-A 40th - 10m

Curve tolerance according to ISO 9906



Suction side :

Discharge side :

Flow :

Head :

Rated speed :

1" 1/4 GAS

--

2.900 1/min

MAIN_PROJECT_TITLE

BUSINESS_PROCESS_ID

OWNER_

ISSUE_DATE

2024-06-11



DIMENSIONAL DRAWING

2024-06-11

Page 3 / 3

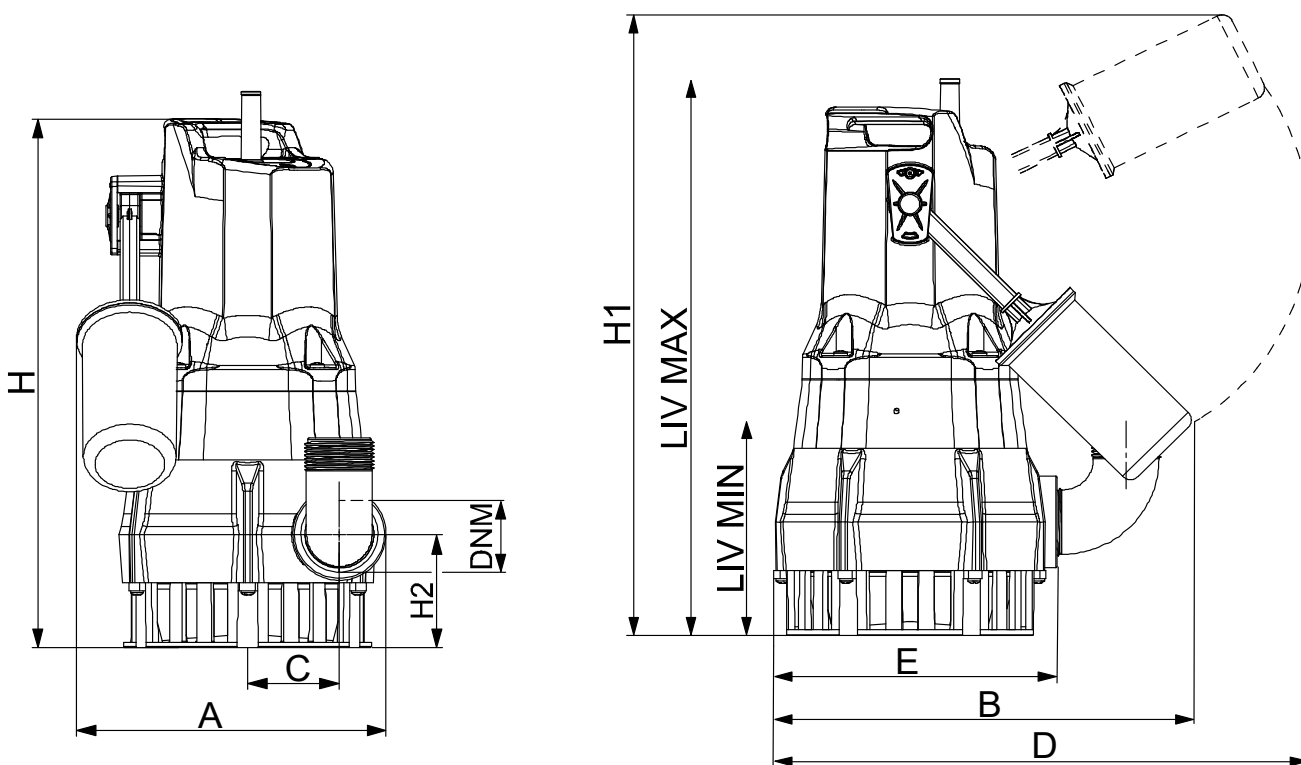
DAB PUMPS S.p.A.
Via Marco Polo, 14 - 35035 Mestrino (PD), Italy
Tel. +39 049 5125000 - Fax +39 049 5125950
www.dabpumps.com

Receiver

From

Company
Reference
Address
Phone
Fax
E-mail

NOVA 600 M-A 40th - 10m



Dimensions in mm					Pump connection	
1	A	189				Suction
2	B	255				
3	C	56				
4	D	296				
5	DNM	1"1/4 G				Discharge 1" 1/4 GAS --
6	E	174				
7	H	329				
8	H1	443				
9	H2	71				
10	LIV MAX	390				
11	LIV MIN	190				

MAIN_PROJECT_TITLE	BUSINESS_PROCESS_ID	OWNER_	ISSUE_DATE 2024-06-11
--------------------	---------------------	--------	---------------------------------