

Receiver

From

Company
Reference
Address
Phone
Fax
E-mail

Item n° : 60194402
Customer pos. no.:

Model :
NOVA 200 M-NA 40th - 10m

Pump data

Free passage : 5 mm
Aspiration level minimum : 8 mm
Max. immersion depth : 7 m
Min. fluid temperature : 0 °C
Max. fluid temperature : 35 °C

Requested data

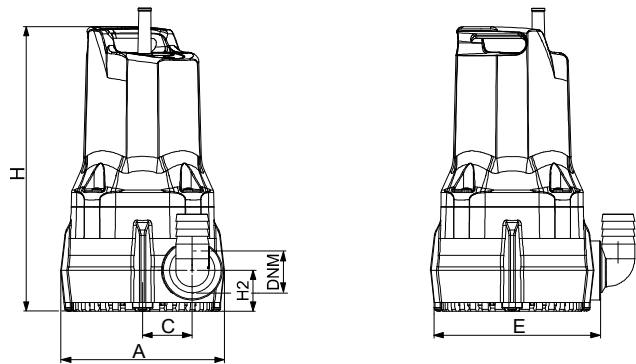
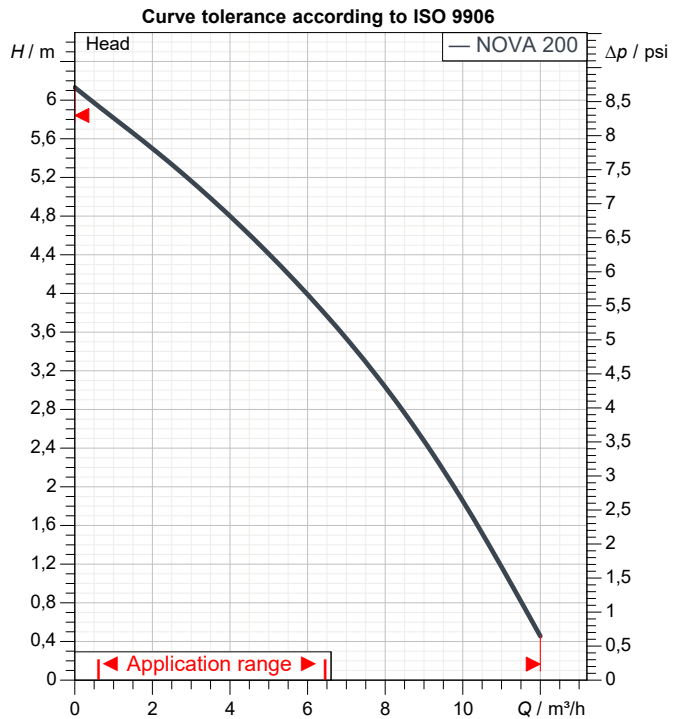
Flow :
Head :
Fluid : Water
Fluid Temperature : 20 °C
Density : 998,3 kg/m³
Kinematic viscosity : 1,005 mm²/s
Vapor pressure : 0,33938 psi

Hydraulic data (duty point)

Flow :
Head :

Materials

Pump body : Technopolymer
Impeller : Technopolymer
O-Ring : NBR Rubber
Rotor shaft : Stainless Steel AISI 431
Suction strainer : Technopolymer
Motor top body : AISI 304 X5 Cr Ni 1810 UNI 6900/71



Motor data

Weight : 4,6 kg

Motor brand : DAB
Nominal power P2 : 0,22 kW
Rated voltage : 1~ 230 V 50 Hz
Nominal current : 1,5 A
Degree of protection : IP 68
Cable length m : 10

Dimensions in mm

Dimension	Value				
A	151				
C	46				
DNM	1"1/4 G				
E	158				
H	268				
H2	38				

Pump connection

Suction side : /
Discharge side : 1" 1/4 GAS / --



PERFORMANCE CURVES

2024-04-05

Page 2 / 3

DAB PUMPS S.p.A.
Via Marco Polo, 14 - 35035 Mestrino (PD), Italy
Tel. +39 049 5125000 - Fax +39 049 5125950
www.dabpumps.com

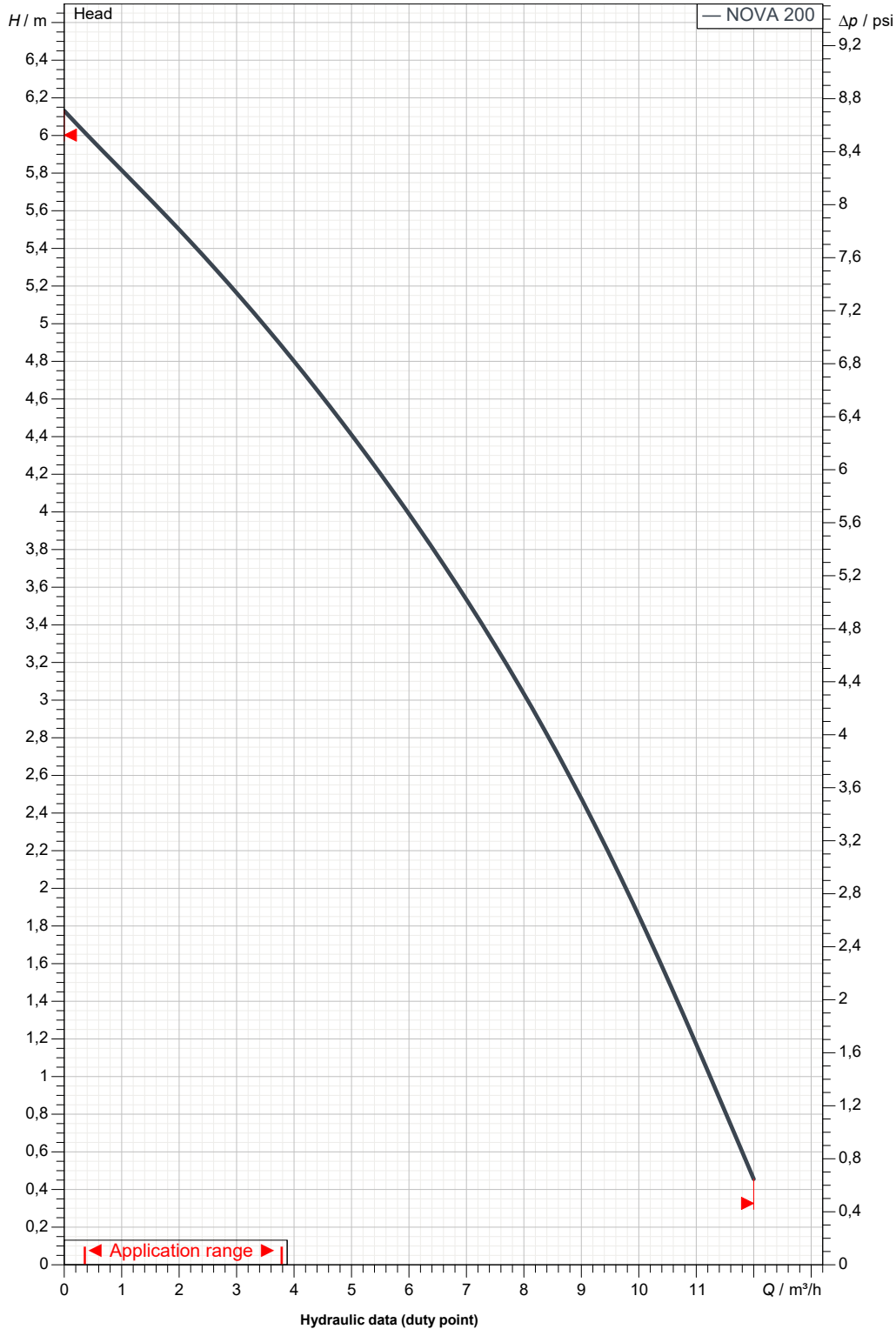
Receiver

From

Company
Reference
Address
Phone
Fax
E-mail

NOVA 200 M-NA 40th - 10m

Curve tolerance according to ISO 9906



Suction side :

Discharge side :
1" 1/4 GAS
--

Flow :

Head :

Rated speed :
2.900 1/min

MAIN_PROJECT_TITLE

BUSINESS_PROCESS_ID

OWNER_

ISSUE_DATE
2024-04-05



DIMENSIONAL DRAWING

DAB PUMPS S.p.A.
Via Marco Polo, 14 - 35035 Mestrino (PD), Italy
Tel. +39 049 5125000 - Fax +39 049 5125950
www.dabpumps.com

2024-04-05

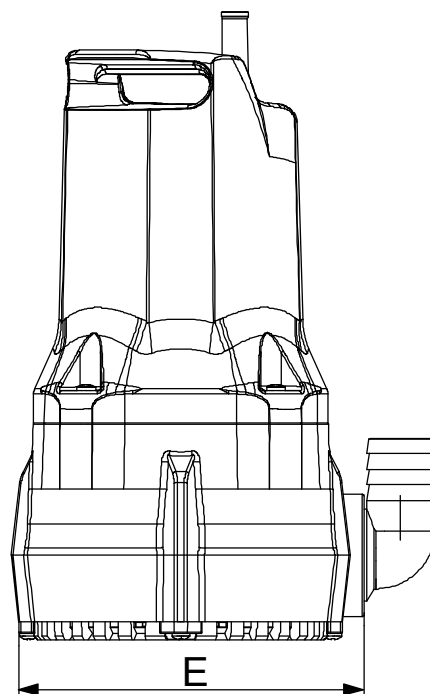
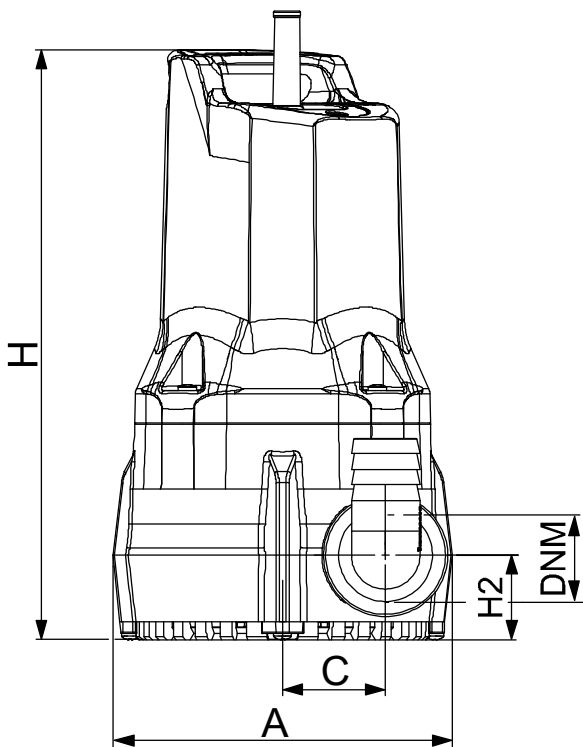
Page 3 / 3

Receiver

From

Company
Reference
Address
Phone
Fax
E-mail

NOVA 200 M-NA 40th - 10m



Dimensions in mm

Pump connection

1
2
3
4
5
6
7
8
9
10
11

A	151
C	46
DNM	1"1/4 G
E	158
H	268
H2	38

Suction

Discharge
1" 1/4 GAS
--

MAIN_PROJECT_TITLE

BUSINESS_PROCESS_II

OWNER_

ISSUE_DATE

2024-04-05