

**Receiver**

**From**

Company  
Reference  
Address  
Phone  
Fax  
E-mail

**Item n° :** 103002744  
**Customer pos. no.:**

**Model :**  
NOVA 600 M-A SV

**Pump data**

Free passage : 10 mm  
Pressure rating :  
Min. fluid temperature : 0 °C  
Max. fluid temperature : 35 °C  
Max. Ambient temperature : 40 °C

**Requested data**

Flow :  
Head :  
Fluid : Water  
Fluid Temperature : 20 °C  
Density : 998,3 kg/m³  
Kinematic viscosity : 1,005 mm²/s  
Vapor pressure : 0,33938 psi

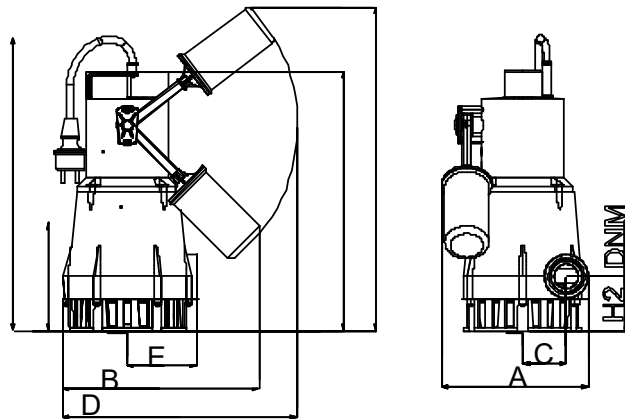
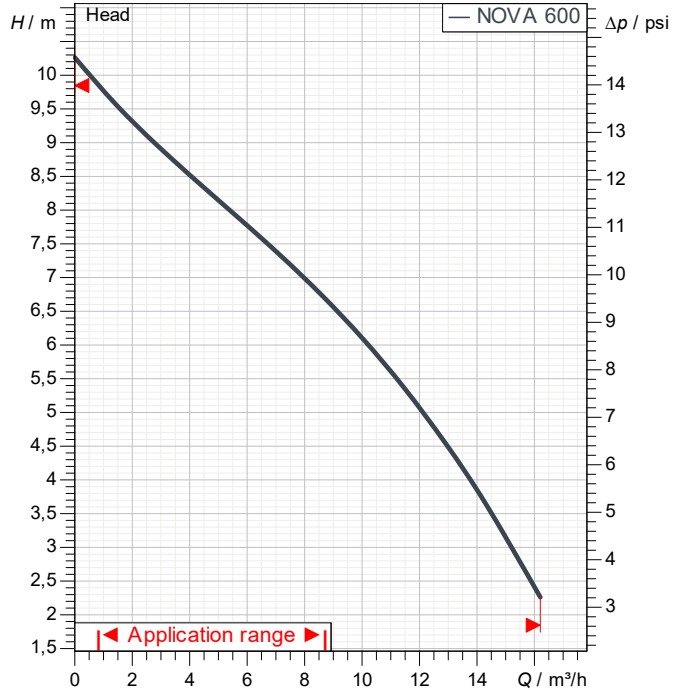
**Hydraulic data (duty point)**

Flow :  
Head :

**Materials**

Pump body : Technopolymer  
Impeller : Technopolymer  
O-Ring : NBR Rubber  
Motor top body : AISI 304 X5 Cr Ni 1810 UNI 6900/71  
Rotor shaft : AISI 431  
Seeger ring : 12E - UNI 7435 STAINLESS  
Suction strainer : Technopolymer

**Curve tolerance according to ISO 9906**



**Motor data**

Motor brand : DAB  
Nominal power P2 : 0,55 kW  
Rated speed : 2.850 1/min  
Rated voltage : 1~ 220-240 V 50 Hz  
Nominal current : 3,4 A  
Degree of protection : IP 68

**Weight :** 7 kg

**Dimensions in mm**

Dimension	Value	Dimension	Value
A	189	H2	70,5
B	253	LIV MAX	360
C	56	LIV MIN	160
D	303		
DNM	1" 1/4 G		
E	90		
H	334		
H1	416		

**Pump connection**

Suction side : /  
Discharge side : 1" 1/4 G / --



# PERFORMANCE CURVES

2024-06-18

Page 2 / 3

DAB PUMPS S.p.A.  
Via Marco Polo, 14 - 35035 Mestrino (PD), Italy  
Tel. +39 049 5125000 - Fax +39 049 5125950  
www.dabpumps.com

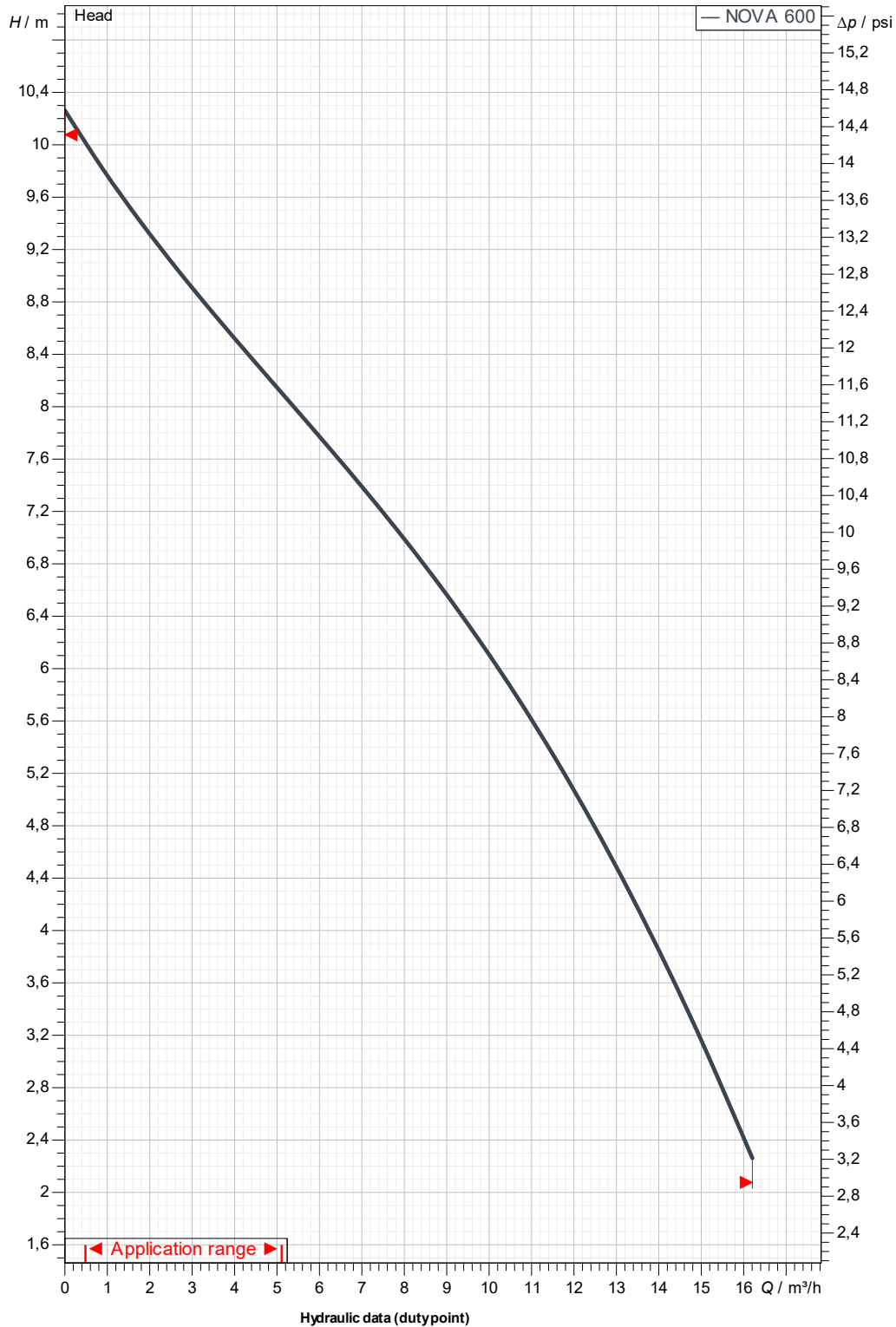
Receiver

From

Company  
Reference  
Address  
Phone  
Fax  
E-mail

## NOVA 600 M-A SV

Curve tolerance according to ISO 9906



Suction side :

Discharge side :

Flow :

Head :

Rated speed :

0 psi

1" 1/4 G  
0 psi

2.850 1/min

Project

Project ID

Created by

Created on

2024-06-18



# DIMENSIONAL DRAWING

2024-06-18

Page 3 / 3

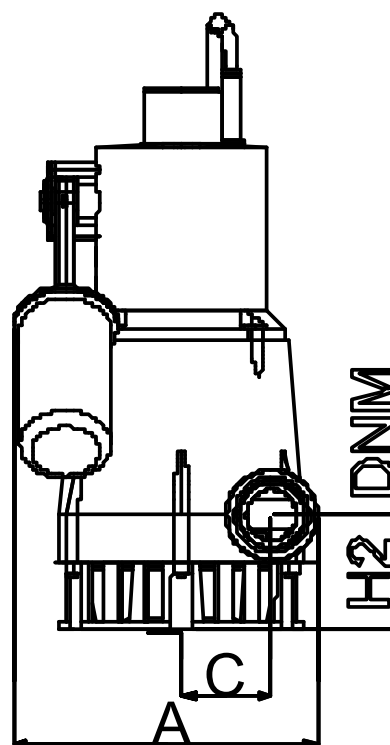
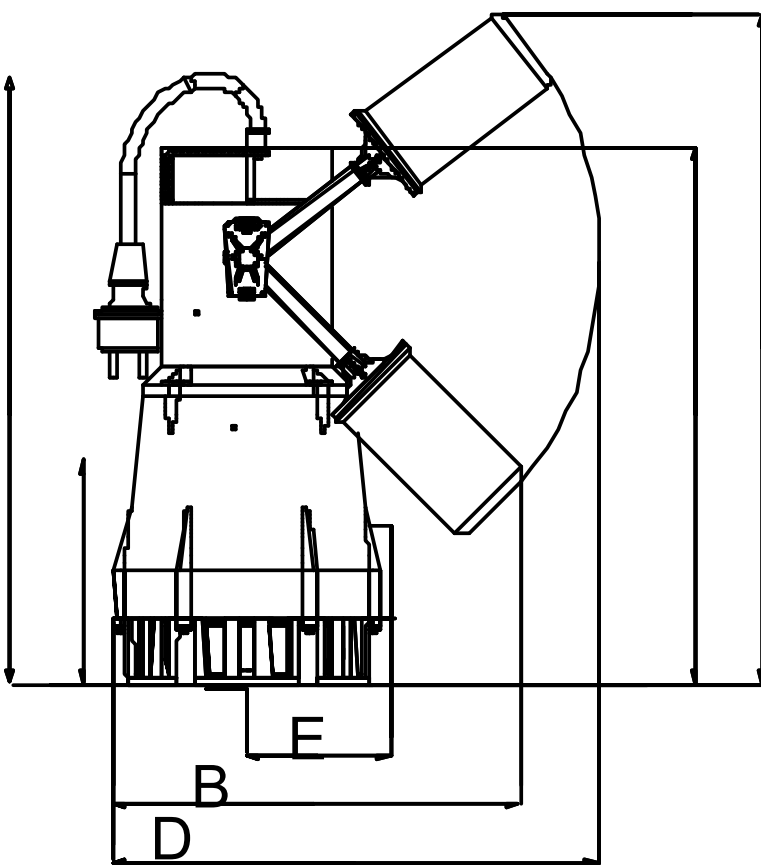
DAB PUMPS S.p.A.  
Via Marco Polo, 14 - 35035 Mestrino (PD), Italy  
Tel. +39 049 5125000 - Fax +39 049 5125950  
www.dabpumps.com

Receiver

From

Company  
Reference  
Address  
Phone  
Fax  
E-mail

## NOVA 600 M-A SV



### Dimensions in mm

### Pump connection

1	A	189					
2	B	253					Suction
3	C	56					
4	D	303					0 psi
5	DNM	1" 1/4 G					
6	E	90					
7	H	334					Discharge
8	H1	416					1" 1/4 G
9	H2	70,5					0 psi
10	LIV MAX	360					
11	LIV MIN	160					

Project

Project ID

Created by

Created on

2024-06-18