

Receiver

From

Company  
Reference  
Address  
Phone  
Fax  
E-mail

**Item n° :** 60185583  
**Customer pos. no.:**

**Model :**  
GENIX VT 030

**Pump data**

Min. fluid temperature : 0 °C  
Max. fluid temperature : 75 °C  
Max. Ambient temperature : 25 °C  
Min. Temperature operating : 5 °C  
MaxFlow : 6,9 m³/h  
Max Head : 8 m  
Max Head (EN12050-3) : 6 m

**Requested data**

Flow :  
Head :  
Fluid : Water  
Fluid Temperature : 20 °C  
Density : 998,3 kg/m³  
Kinematic viscosity : 1,005 mm²/s  
Vapor pressure : 0,33938 psi

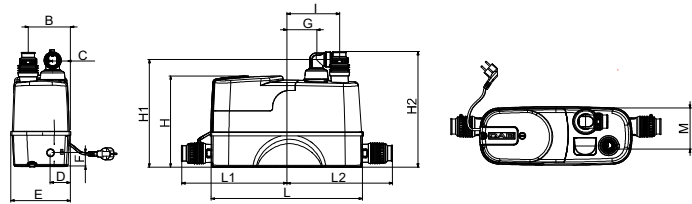
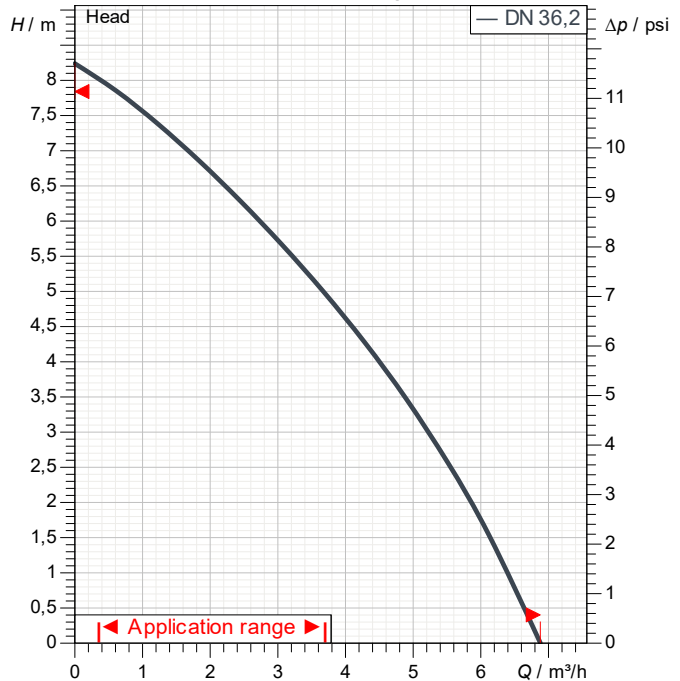
**Hydraulic data (duty point)**

Flow :  
Head :

**Materials**

Tank : Polypropylene 15% Barium  
Shaft : Stainless steel  
Cover : Stainless steel  
O-Ring : NBR  
Impeller : Polypropylene 30% fiber glass

Curve tolerance according to ISO 9906



**Motor data**

Motor brand : DAB  
Nominal power P2 : 0,32 kW  
Rated speed : 2.900 1/min  
Rated voltage : 1~ 230 V  
Nominal current : 2,5 A  
Degree of protection : IP 44

**Weight :** 10,3 kg

**Dimensions in mm**

A	183	G	80	L1	322		
B	125	H	277	L2	307		
C	56	H1	322	M	125		
D	60	H2	346	N	-		
E	178	I	150				
F	42	L	456				

**Pump connection**

DN 22/25/28/32/36/40



# PERFORMANCE CURVES

2024-09-24

Page 2 / 3

DAB PUMPS S.p.A.  
Via Marco Polo, 14 - 35035 Mestrino (PD), Italy  
Tel. +39 049 5125000 - Fax +39 049 5125950  
www.dabpumps.com

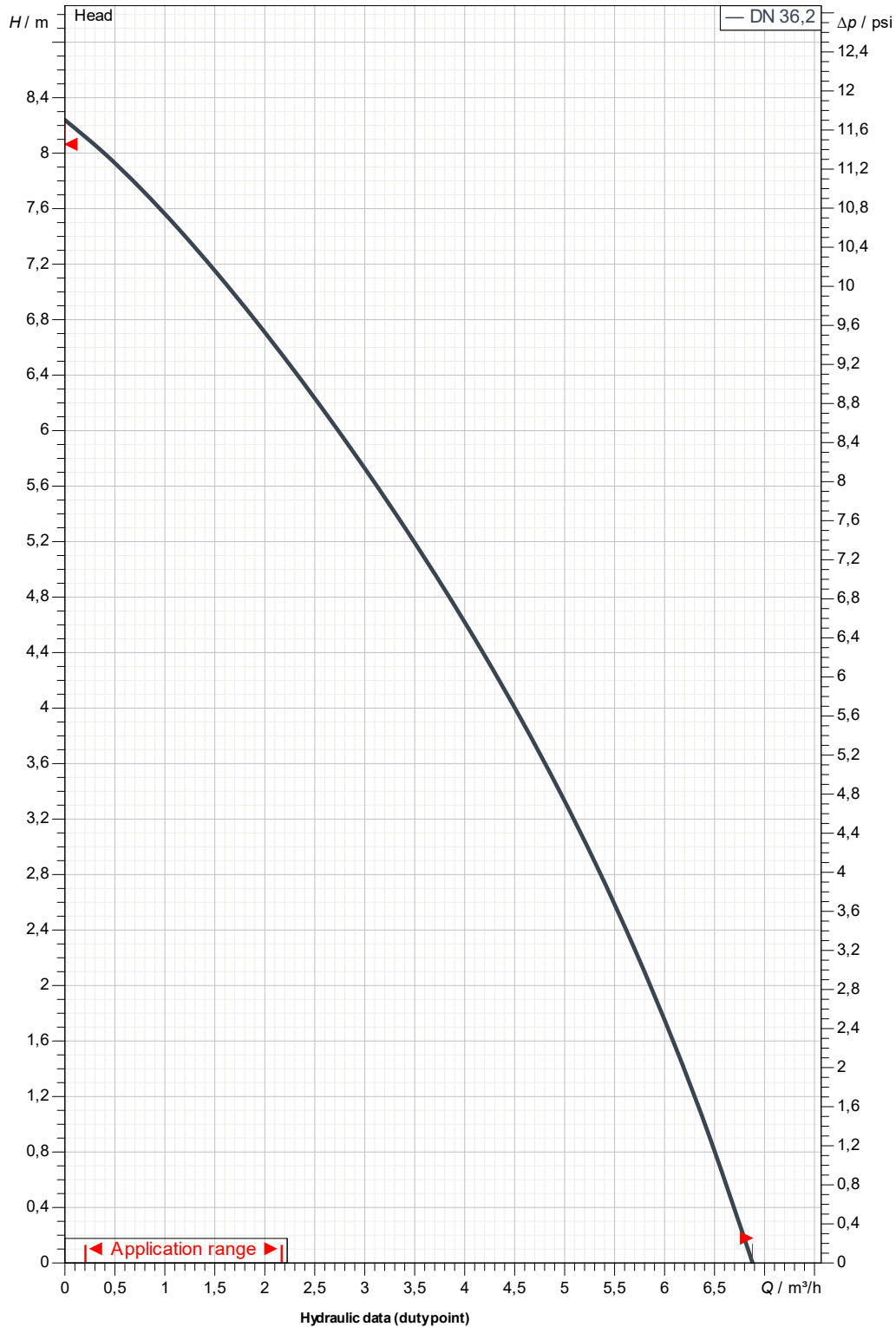
Receiver

From

Company  
Reference  
Address  
Phone  
Fax  
E-mail

## GENIX VT 030

Curve tolerance according to ISO 9906



Suction side :

Discharge side :

Flow :

Head :

Rated speed :

2.900 1/min

MAIN\_PROJECT\_TITLE

BUSINESS\_PROCESS\_ID

OWNER\_

ISSUE\_DATE

2024-09-24



# DIMENSIONAL DRAWING

2024-09-24

Page 3 / 3

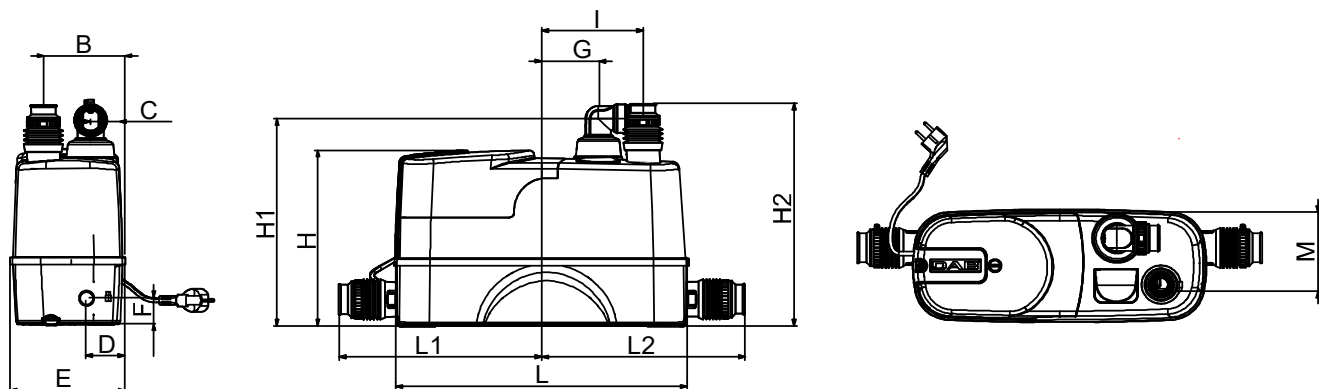
DAB PUMPS S.p.A.  
Via Marco Polo, 14 - 35035 Mestrino (PD), Italy  
Tel. +39 049 5125000 - Fax +39 049 5125950  
www.dabpumps.com

Receiver

From

Company  
Reference  
Address  
Phone  
Fax  
E-mail

## GENIX VT 030



Dimensions in mm

Pump connection

1	A	183	L	456	Suction	
2	B	125	L1	322		
3	C	56	L2	307		
4	D	60	M	125		
5	E	178	N	-		
6	F	42				
7	G	80				
8	H	277				Discharge
9	H1	322				
10	H2	346				
11	I	150				

MAIN\_PROJECT\_TITLE

BUSINESS\_PROCESS\_ID

OWNER\_

ISSUE\_DATE

2024-09-24