

Receiver

From

Company  
Reference  
Address  
Phone  
Fax  
E-mail

**Item n° :** 60122691H  
**Customer pos. no.:**

**Model :**  
FEKA BVP 750 M-A

**Pump data**

Free passage : 38 mm  
Pressure rating :  
Min. fluid temperature : 0 °C  
Max. fluid temperature : 35 °C  
Max. Ambient temperature :

**Requested data**

Flow :  
Head :  
Fluid : Water  
Fluid Temperature : 20 °C  
Density : 998,3 kg/m³  
Kinematic viscosity : 1,005 mm²/s  
Vapor pressure : 0,33938 psi

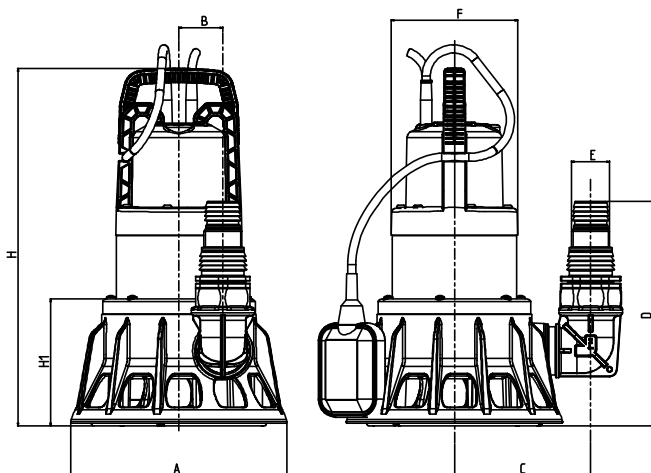
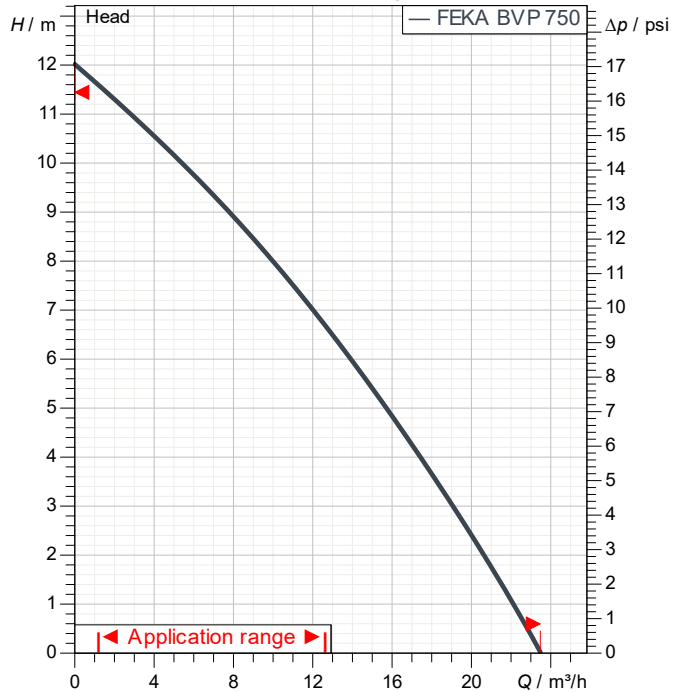
**Hydraulic data (duty point)**

Flow :  
Head :

**Materials**

Pump body : Technopolymer  
Impeller : Technopolymer  
Motor shaft : AISI 416 X12 CrS 13 UNI EN 10088-1  
Motor top body : Stainless Steel AISI 304  
V-RING : NBR  
O-Ring : NBR 70  
Base plate : Technopolymer

Curve tolerance according to ISO 9906



**Motor data**

Motor brand : DAB  
Nominal power P2 : 0,75 kW  
Rated speed : 2.800 1/min  
Rated voltage : 1~ 230 V  
Nominal current : 5,6 A  
Degree of protection : IP 68

**Weight :** 8 kg

**Dimensions in mm**

A	240				
B	49				
C	150				
D	250				
E	40				
F	140				
H	400				
H1	142				

**Pump connection**

Suction side : /  
Discharge side : 1" 1/2 GAS / --



WATER • TECHNOLOGY

# PERFORMANCE CURVES

2024-10-18

Page 2 / 3

DAB PUMPS S.p.A.  
Via Marco Polo, 14 - 35035 Mestrino (PD), Italy  
Tel. +39 049 5125000 - Fax +39 049 5125950  
www.dabpumps.com

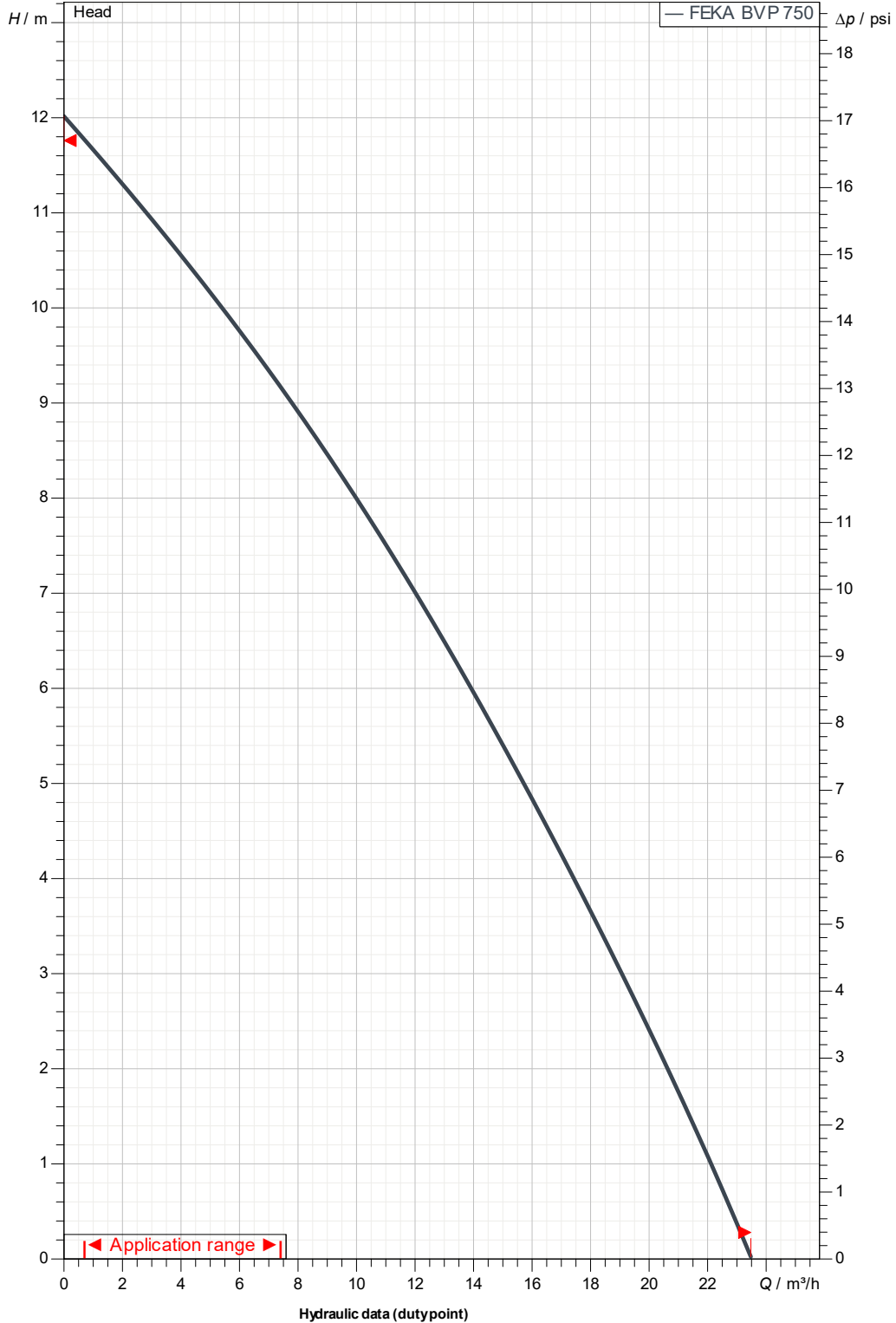
Receiver

From

Company  
Reference  
Address  
Phone  
Fax  
E-mail

## FEKA BVP 750 M-A

Curve tolerance according to ISO 9906



Suction side :

Discharge side :

Flow :

Head :

Rated speed :

1" 1/2 GAS

--

2.800 1/min

MAIN\_PROJECT\_TITLE

BUSINESS\_PROCESS\_ID

OWNER\_

ISSUE\_DATE

2024-10-18



# DIMENSIONAL DRAWING

2024-10-18

Page 3 / 3

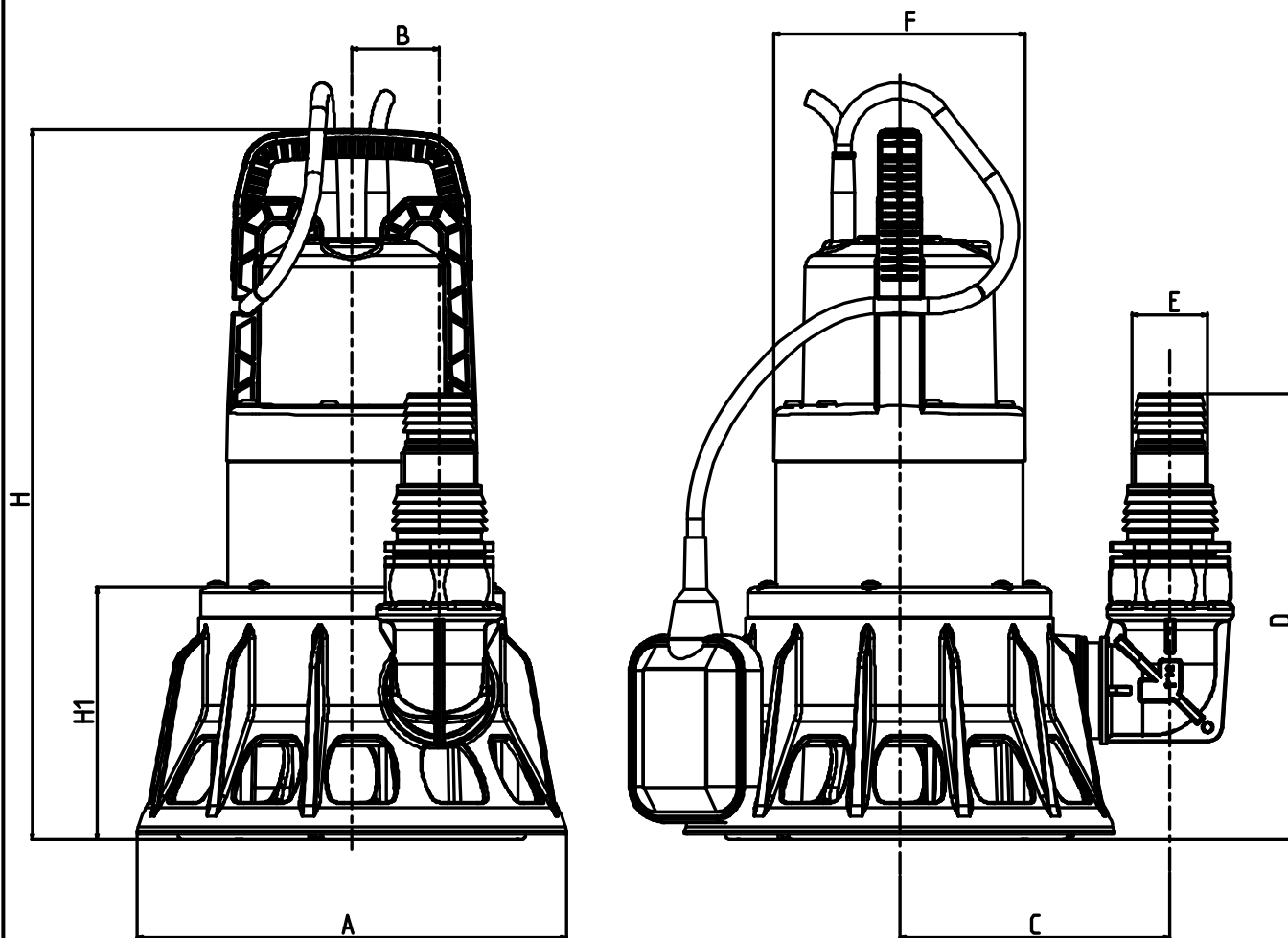
DAB PUMPS S.p.A.  
Via Marco Polo, 14 - 35035 Mestrino (PD), Italy  
Tel. +39 049 5125000 - Fax +39 049 5125950  
www.dabpumps.com

Receiver

From

Company  
Reference  
Address  
Phone  
Fax  
E-mail

## FEKA BVP 750 M-A



**Dimensions in mm**

1	A	240
2	B	49
3	C	150
4	D	250
5	E	40
6	F	140
7	H	400
8	H1	142
9		
10		
11		

**Pump connection**

Suction  
  
Discharge  
1" 1/2 GAS  
--

MAIN\_PROJECT\_TITLE

BUSINESS\_PROCESS\_ID

OWNER\_

ISSUE\_DATE

2024-10-18